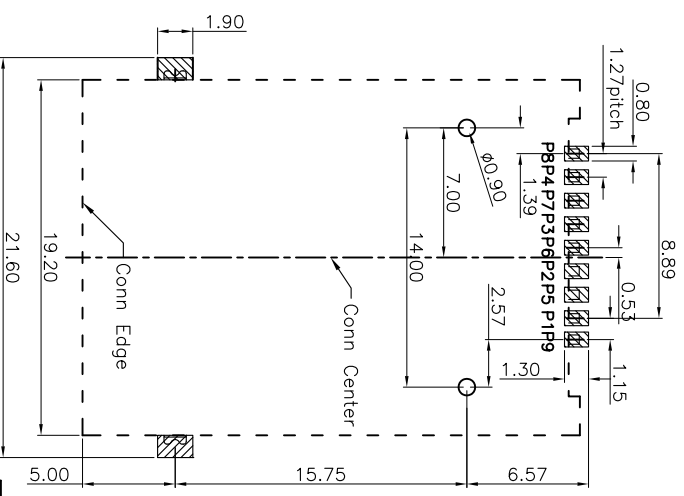
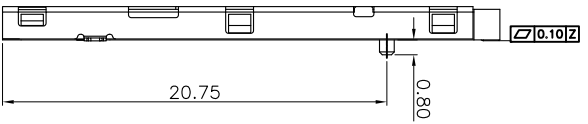
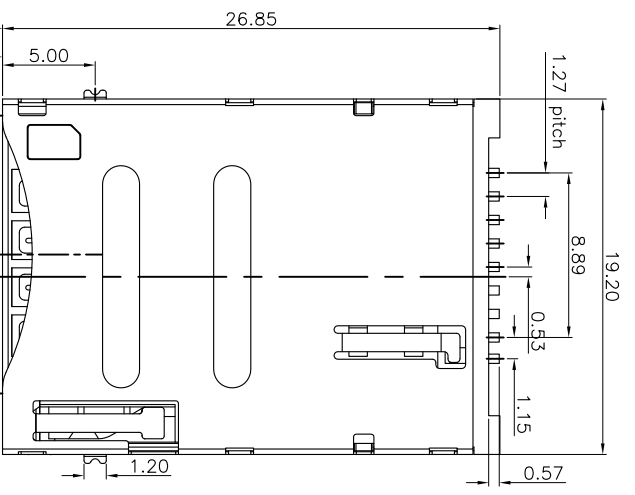
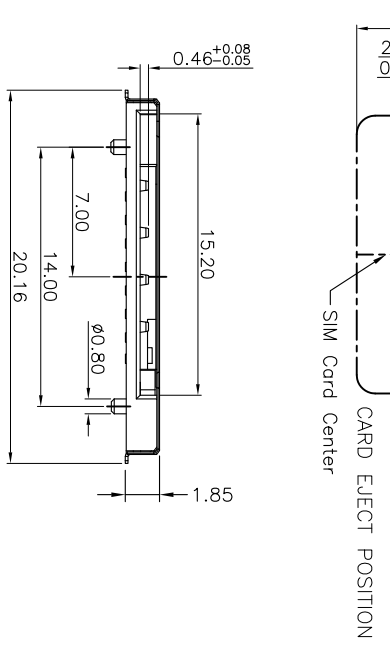


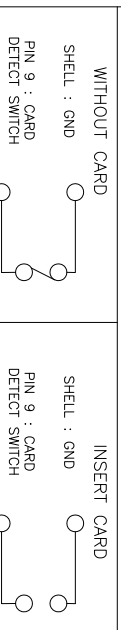
REV.	EGN.NO.	MODIFY/CONTENT	DATE
A		NEW	2012/12/31



Specification:
 *Electrical Characteristics:
 Current Rating:1.5A,
 Withstanding Voltage:AC500V r.m.s.
 Insulation Resistance:1000Megohms Minimum at DC 500V
 Contact Resistance:100Milliohms Maximum.
 *Mechanical Characteristics:
 Mating Cycles:5000 Insertions.



Circuit Diagram for Card Detect Switch



CONNECTOR TERMINAL NO	PIN NO
PIN 1	VCC:PWR SIGNAL AND GND
PIN 2	RST:RESET SIGNAL
PIN 3	CLK:CLOCKING SIGNAL
PIN 4	RESERVED
PIN 5	GND:PWR SIGNAL AND GND
PIN 6	VPP:PROGRAMMING VOLTAGE
PIN 7	I/O:SERIAL DATA INPUT/OUTPUT
PIN 8	RESERVED

GENERAL TOLERANCE	DWG NO.	Part NO.
X±0.25	X:±5°	
X±0.20	X:±2°	
.XX±0.15	.XX:±1°	
.XXX±0.08	.xxx:±0.5°	
SHEET 1/1		

JYSA1231-02	APPD:	WIND	Scale
SIM CARD PUSH PUSH (8+1PIN)	CHKD:		1:1
JYS-SIM185-014	DR:		mm
	Date		



杰宇森电子有限公司
 JIE YU SEN ELECTRONIC CO., LTD.