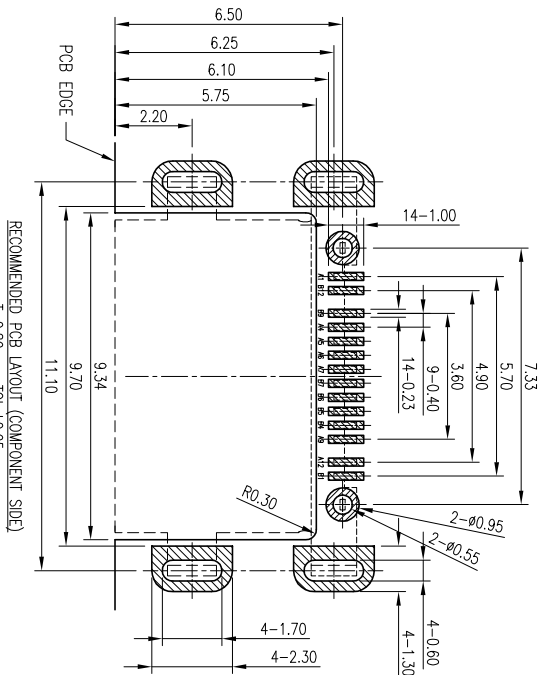


SECTION A-A

| | | | | | | |
|------|------|------|----|------|------|------|
| A1 | A4 | A5 | A6 | A7 | A9 | A12 |
| TX1+ | VBUS | CC1 | D+ | SBU1 | VBUS | RX2+ |
| TX1- | VBUS | CC1 | D- | SBU1 | VBUS | RX2- |
| RX1+ | VBUS | SBU2 | D- | CC2 | VBUS | TX2- |
| RX1- | VBUS | SBU2 | D+ | CC2 | VBUS | TX2+ |
| B12 | B9 | | B7 | B6 | B5 | B4 |
| | | | | | | B1 |

PIN ASSIGNMENT
(FRONT VIEW)



- NOTES:
1. RATED CURRENT: 3A;
 2. CONTACT RESISTANCE: 40mΩ MAX.;
 3. INSULATION RESISTANCE: 100MΩ MIN.;
 4. DIELECTRIC WITHSTANDING: 100V AC MIN.;
 5. DURABILITY: 10,000 CYCLES MIN.;
 6. INSERTION FORCE: 5N~20N.;
 7. EXTRACTION FORCE:
(1) INITIAL: 8N~20N.;
 - (2) AFTER DURABILITY: 6N~20N.;
 8. PRODUCT MEET THE REQUEST OF THE ROHS.

| ITEM | PART NAME | Q'TY | MATERIAL | DESCRIPTION |
|------|-----------------|-------|---------------------------|---------------------------------|
| 01 | UPPER CONTACT - | 1 PCS | COPPER ALLOY, T=0.12mm | CONTACT: 15u" Au/SOLDER: 1u" Au |
| 02 | DOWN CONTACT | 1 PCS | COPPER ALLOY, T=0.12mm | CONTACT: 15u" Au/SOLDER: 1u" Au |
| 03 | MID-PLATE | 1 PCS | STAINLESS STEEL, T=0.15mm | 40~160u" Nickel/SOLDER: 1u" Au |
| 04 | SHELL | 1 PCS | STAINLESS STEEL, T=0.30mm | 40~160u" Nickel All Over |
| 05 | HOUSING | 1 PCS | HIGH TEMPERATURE PLASTIC | BLACK, UL94V-0 |

| | | | | | | |
|-------------------|---------|-------------|-------|-----|-------|-----|
| GENERAL TOLERANCE | DWG NO. | JYSA0413-02 | APPD: | WMD | Scale | 1:1 |
|-------------------|---------|-------------|-------|-----|-------|-----|

| | | | | | | | |
|----------|----------|----------|---------------------|-------|------------|------|----|
| X.±0.45 | X.±0.5 | Title | USB TYPE C 14PIN 新版 | CHKD: | | UNIT | mm |
| XX±0.35 | X.±2 | | 1.55mm FOR CUSTOMER | DR: | | | |
| XX±0.25 | .XX±1 | Part NO. | JYS-USB155-007 | Date | 2015/11/25 | | |
| XXX±0.15 | .xxx±0.5 | | | | | | |

| | | | | | | | |
|-------|-----|--|--|--|--|--|--|
| SHEET | 1/2 | | | | | | |
|-------|-----|--|--|--|--|--|--|