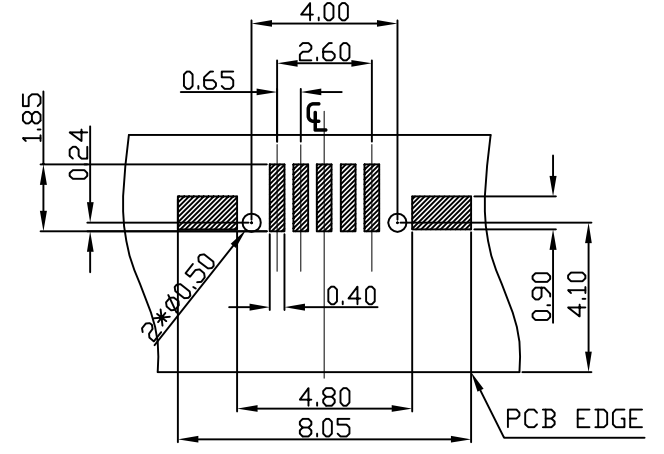
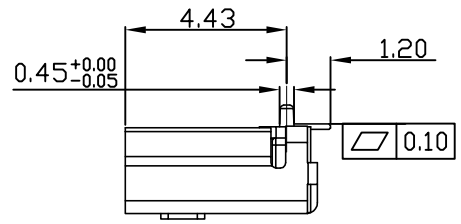
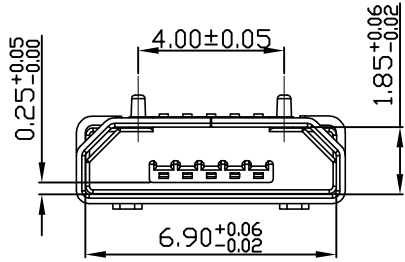
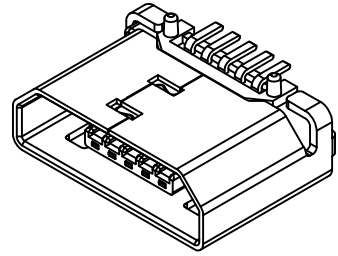
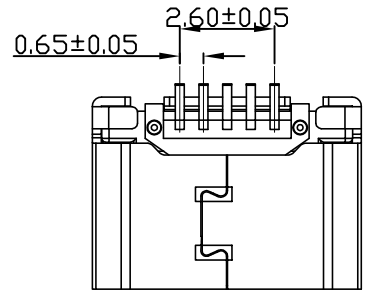
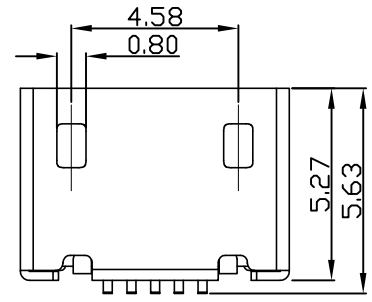


REV.	ECN.NO.	MODIFY.CONTENT	DATE
A		NEW	2013/3/29



RECOMMENDED P.C.B. LAYOUT
TOLERANCE UNSPECIFIED ±0.05mm



Specification:

- Electrical Characteristics:
 - Current rating: 1,5PIN 1.8A Max/2,3,4PIN 1A Max.
 - Dielectric withstanding voltage: 100 V(ac) for 1 min.
 - Insulation Resistance: 100 MΩ Minimum.
 - Contact Resistance: 30 mΩ Maximum.
- Environmental:
 - Operating Temperature: -30°C~+80°C.
- Mechanical Characteristics:
 - Total mating force: 3.57 Kgf Max.
 - Total unmating force: 1.0 Kgf Min.
- Material:
 - Insulator: HI-Temp Plastic UL 94V-O Rated.
 - Contact: Copper Alloy(t=0.15mm).
 - Shell: Copper Alloy(t=0.20mm)/spcc双光(t=0.25mm).

GENERAL TOLERANCE		DWG NO.	JYSA0508-001	APPD:	WIND	Scale	1:1
X.±0.45	x.'±5'	Title	MICRO USB 5PIN 直筒式 无柱 无翻边	CHKD:		UNIT	mm
.X±0.35	.x'±2'			DR:			
.XX±0.25	.xx'±1'	Part NO.	JYS-USB800-071	Date	2013/03/29		
.XXX±0.15	.xxx'±0.5'						
SHEET	1/1						
			JYSCOM	Shenzhen JYSCONN Electronics Co., LTD.			