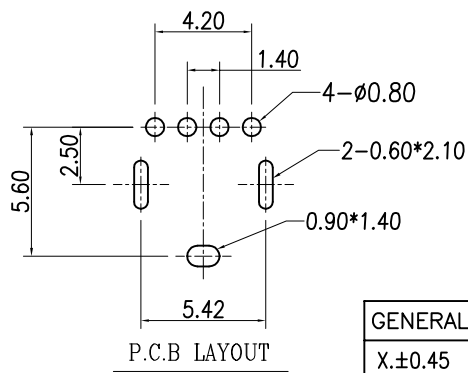
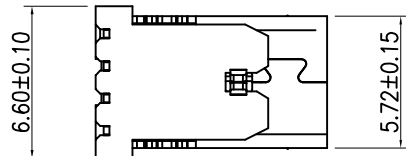
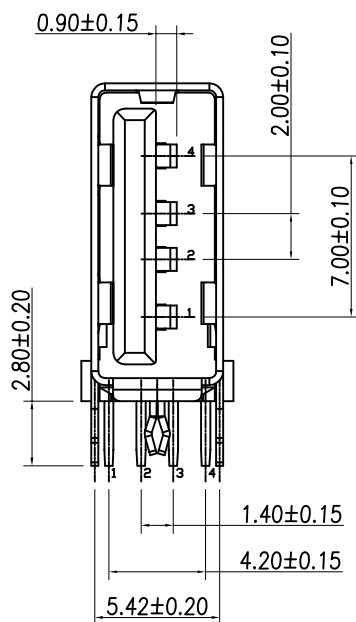
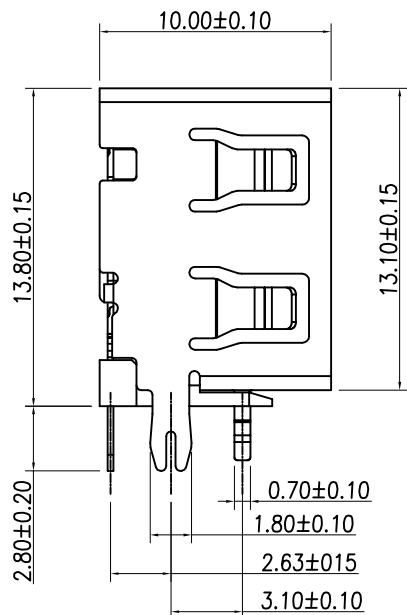


REV.	ECN.NO.	MODIFY.CONTENT	DATE
A		NEW	2012/04/13



规格说明 Specifications:

电气特性 Electrical:

1. 额定电流: Current Rating
1.5A/ 2.0A 3.0A contact terminal
2. 额定电压: Voltage Rating
30V DC
3. 接触电阻: Contact Resistance
30 milliohms MAX
4. 耐电压: Dielectric Withstanding Voltage:
500 V AC AT Sea Level
5. 绝缘电阻: Insulation Resistance:
1000MEGA ohms MIN

物理性能 Mechanical:

1. 插拔力: Connector Mate and Unmate Force
Mate force: 3.57kgf (MAX)
Unmate force: 1.02kgf (MIN)
2. 端子保持力: Terminal Retention
0.5kgf (MIN)

原材料 Material:

1. 塑胶: Housing:
High Temperature Thermoplastics,
UL 94V-0 PBT
2. 端子: Contact: Copper Alloy C2680
3. 外壳: Shell: Copper Alloy C2680/SPCC

电镀 Finish:

1. 端子: Contact: Plated Gold in Mating Area;
Tin Sn Solder Tails
2. 外壳: Shell:
Nickel Plating

GENERAL TOLERANCE		DWG NO.	JYSA0804-001	APPD:	WIND	Scale	1:1
X.±0.45	.x'±5"	Title	USB A/F 侧插短体 10.0 无边	CHKD:		UNIT	mm
.X±0.35	.x'±2"			DR:			
.XX±0.25	.xx'±1"	Part NO.	JYS-USB100-040	Date	2012/04/13		
.XXX±0.15	.xxx'±0.5"						
SHEET	1/1	JYSCONN Electronics Co., LTD.					