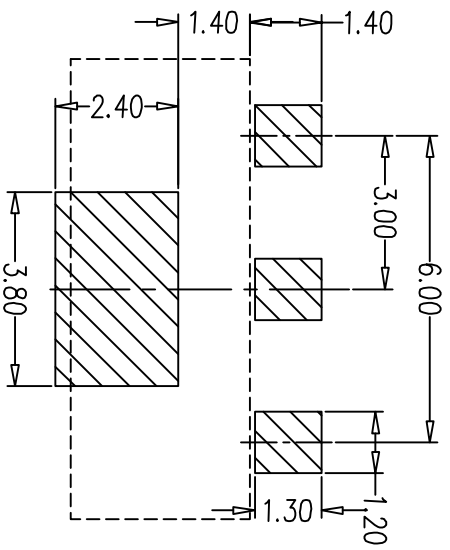
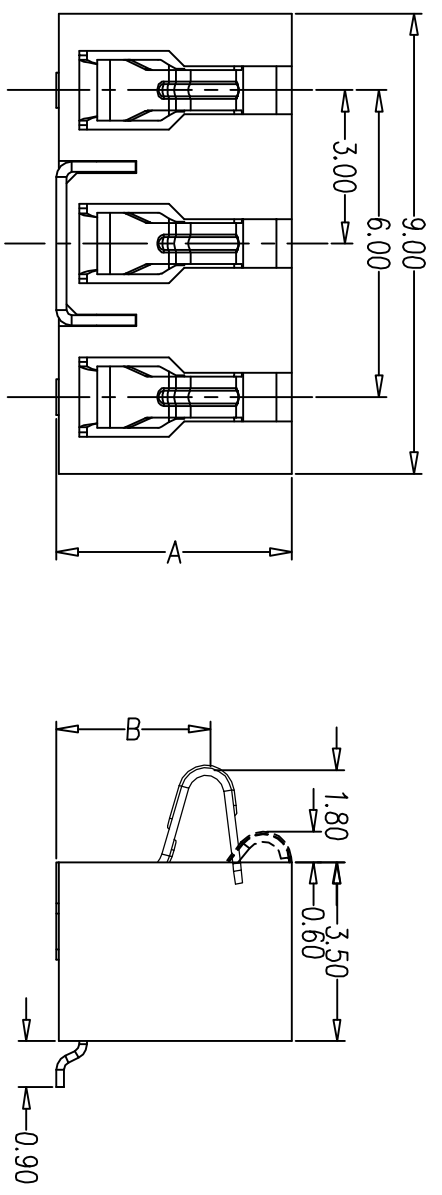
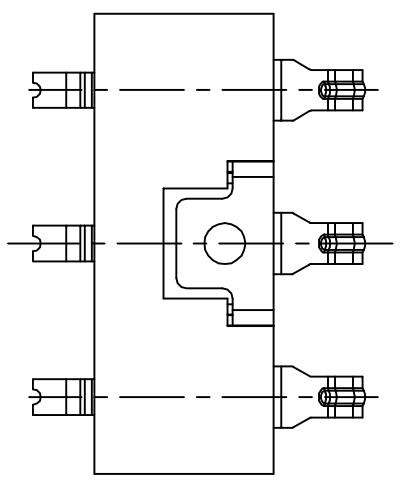


REV.	ECN NO.	MODIFY CONTENT	DATE
A		NEW	2012/02/29



RECOMMENDED PCB LAYOUT
TOL: (±0.05)

- NOTES-
- 1.Electrical:
Contact resistance:50m ohms max.
Dielectric withstanding voltage:250V RMS.
Insulation resistance:1000M ohms min.
 - 2.Mechanical:
MATE AND UNMATE FORCE:
MATE FORCE:4.5kg MAX
UNMATE FORCE:0.5kg MIN
Durability:1500cycles MIN.
 - 3.Environment:
Operating Temperature: -55to+105°.
 - 4.FINISH:
TERMINAL: GOLD Plated ALL Over NICKEL.
 - 5.COLOR:
HOUSING:BLACK.



JYS-BY720-018	7.20	5.60
JYS-BY700-017	7.00	5.40
JYS-BY680-016	6.80	5.20
JYS-BY620-015	6.20	4.60
JYS-BY600-014	6.00	4.40
JYS-BY580-013	5.80	4.20
JYS-BY540-012	5.40	3.80
JYS-BY500-011	5.00	3.40
JYS-BY460-010	4.60	3.00
Be filled	A	B

GENERAL TOLERANCE		DWG NO.	JYSA1018-02	APPD:	WMO	Scale	1:1
X.±0.45	x.±15'	Title	BATTERY 3PIN 3.0PITCH 4.6H-7.2H WITHOUT POST	CHKD:		UNIT	mm
.X±0.35	.x'±2'	Part No.	SEE TABLE	DR:		Date	2012/02/29
.XX±0.25	.xx'±1'						
.XXX±0.15	.xxx±0.5'						
SHEET	1/1						



杰宇森电子有限公司
JIE YU SEN ELECTRONIC CO., LTD.