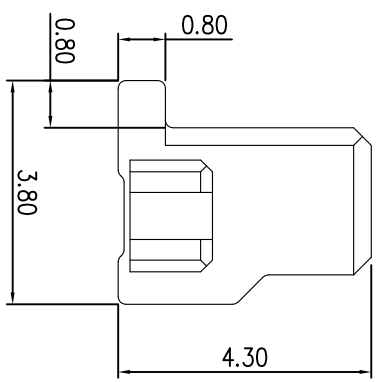
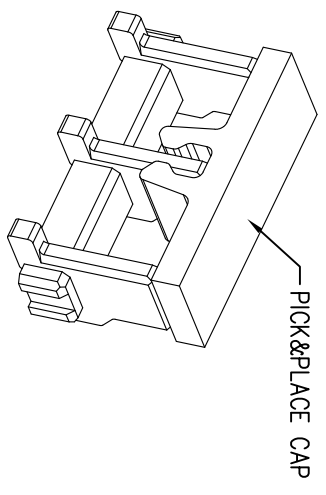
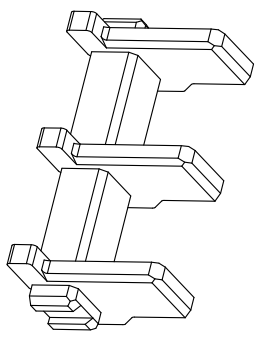
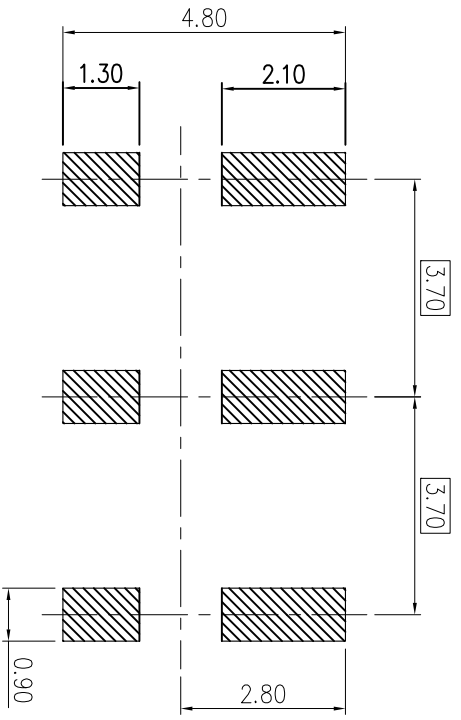
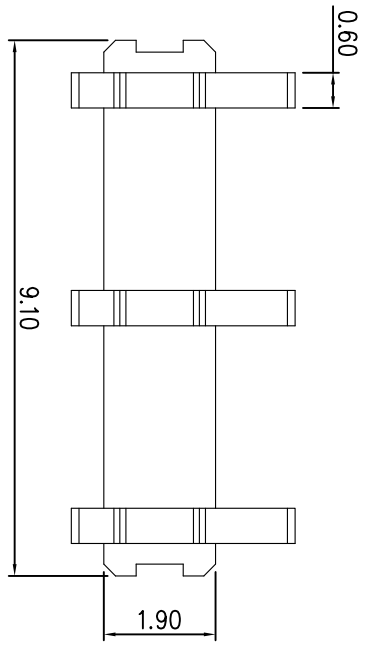
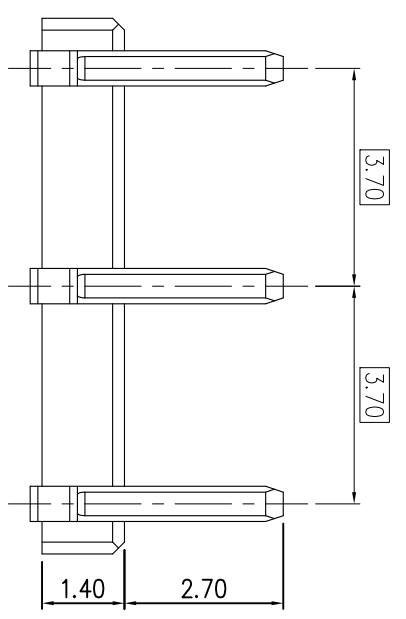


REV.	EQN.NO.	MODIFY/CONTENT	DATE
A		NEW	2011/10/31



- NOTES:
- INTERPRET DRAWING PER ANSI Y14.5N-1994.
 - MATERIAL AND FINISH
HOUSING: HIGH-TEMP. THERMOPLASTIC, UL94V-0, BLACK.
CONTACT: COPPER ALLOY, T=0.60mm.
GOLD FLASH PLATING OVER 50 μ NICKEL ON CONTACT AREA



RECOMMENDED PCB LAYOUT
(TOLERANCE: ± 0.05)

GENERAL TOLERANCE		DWG NO.	APPD.		WIND	Scale
X ± 0.45	X $\pm 1^{\circ}$	JYSA0508-001	CHKD:			1:1
X ± 0.35	X $\pm 2^{\circ}$	BATTERY 3PIN CONNECTOR H4.3 (NOKIA 8900) T=0.6	DR:			mm
X ± 0.25	.XX $\pm 1^{\circ}$		Date	2013/02/29		
.XXX ± 0.15	.xxx $\pm 0.5^{\circ}$	Part No.	JYS-BY430-068			
SHEET	1/1					


 杰宇森电子有限公司
 JIE YU SEN ELECTRONIC CO., LTD.