

3D VIEW

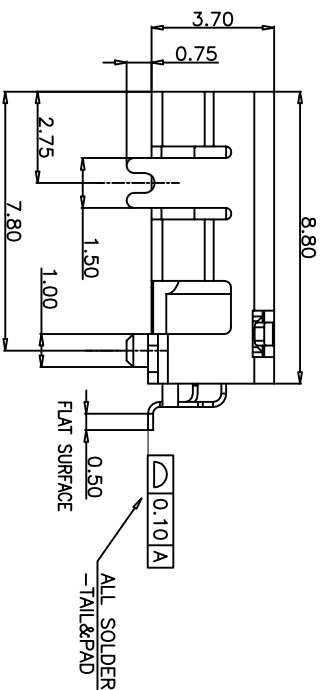
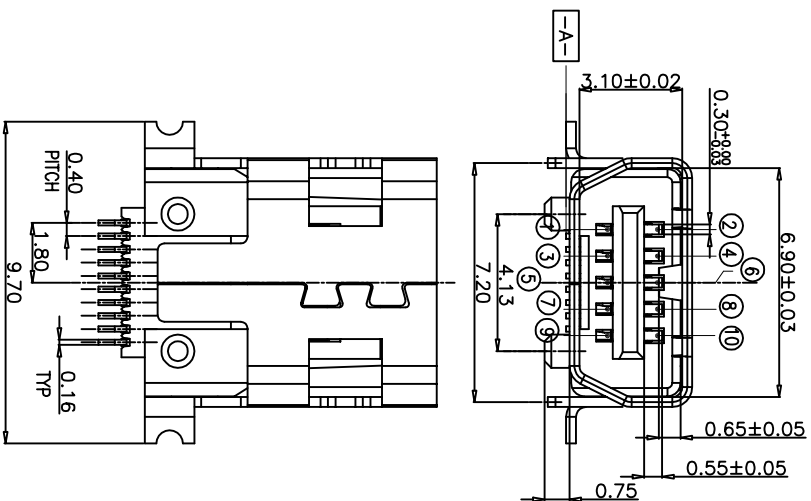
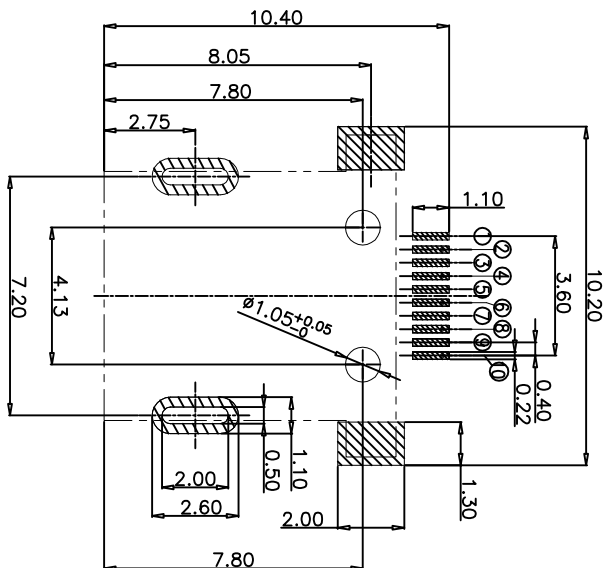


TABLE:

P/N.	TYPE
JYS-USB8880-004A	WITHOUT POST
JYS-USB8880-009	WITH POST



RECOMMENDED PCB LAYOUT(TOP VIEW)
GENERAL TOLERANCES:±0.05

- NOTE:
- ELECTRICAL CHARACTERISTICS
 - CONTACT RESISTANCE: 80 milliohms MAX.
 - INSULATION RESISTANCE: 1,000 Megohms MIN.
 - DIELECTRIC WITHSTANDING VOLTAGE: 500V AC MIN
 - MECHANICAL CHARACTERISTICS
 - RETENTION FORCE:MIN.100gf/PIN
 - PLATING:CONTACT AREA 10u"AU PLATED;SMT AREA GOLD FLASH
- FOR 1 MINUTE.

GENERAL TOLERANCE	DWG NO.	JYSA0709-001	APPD:	WIND	Scale
X.±0.45	X.±5'				1:1
X±0.35	X'±2'	MINI USB TOP AB型母座 前插后贴	CHKD:		mm
.XX±0.25	.XX'±1'	SEE TABLE	DR:		
.XXX±0.15	.xxx±0.5'		Date	2011/10/31	
SHEET 1/1					

JYS 杰宇森电子有限公司
JIE YU SEN ELECTRONIC CO., LTD.

REV.	EGN.NO.	MODIFY CONTENT	DATE
A		NEW	2011/10/31