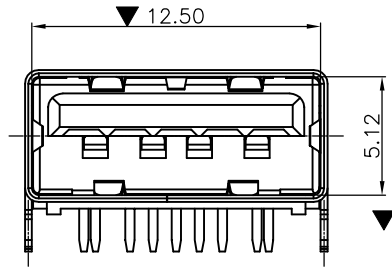


Pin #	SIGNAL NAME	DESCRIPTION
1	VBUS	POWER
2	D-	USB 2.0 DIFFERENTIAL PAIR
3	D+	
4	GND	GROUND FOR POWER RETURN
5	StdA_SSRX-	SUPERSPEED RECEIVER DIFFERENTIAL PAIR
6	StdA_SSRX+	
7	GND_DRAIN	GROUND FOR SIGNAL RETURN
8	StdA_SSTX-	SUPERSPEED TRANSMITTER DIFFERENTIAL PAIR
9	StdA_SSTX+	
Shell	Shield	CONNECTOR METAL SHELL

REV.	ECN.NO.	MODIFY.CONTENT	DATE
A		NEW	2012/04/13



NOTE:

*Material:

- 1.Insulator: LCP UL94V-0
- 2.Contact:Bronze(T=0.25mm)
- 3.Shell:SUS201(T=0.3mm)

*Electrical Characteristics;

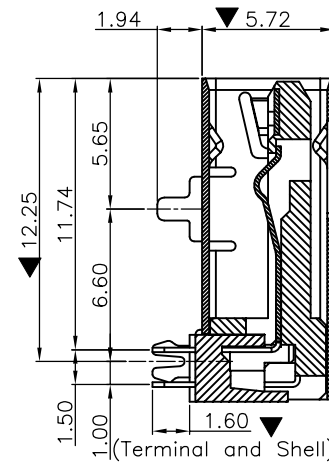
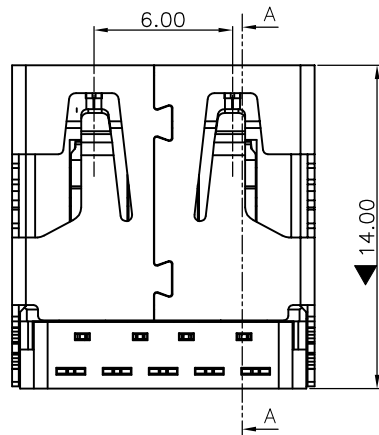
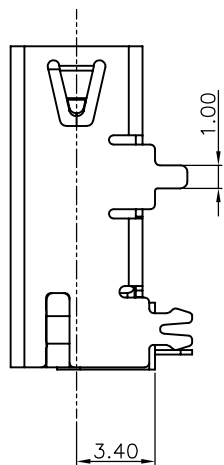
- 1.CONTACT RESISTANCE:30mΩ MAXIMUM
- 2.CONTACT CURRENT RATING:1.5A
- 3.DIELECTRIC WITHSTANDING VOLTAGE:DC 500 V
- 4.INSULATION RESISTANCE 100 MEGOHMS MIN
- 5.OPERATING TEMPERATURE:-40°C ~ 85°C

*Mechanical Characteristics;

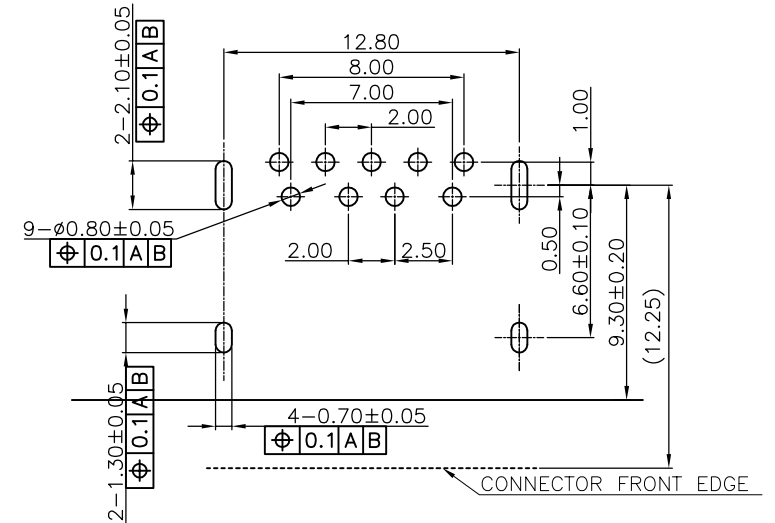
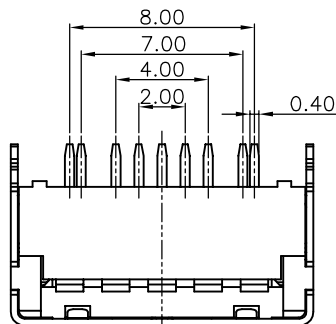
- 1.MATING FORCE:3.57kg MAX
- 2.UNMATED FORCE:1.02kg MIN
- 3.DURABILITY:MANDATORY:5,000 CYCLES

*Plating

- TERMINAL:50u" MIN NICKEL ALL OVER
80u"MIN Tin ON SOLDER AREA
(1~30)u"Au ON CONTACT AREA
SHELL:80u"MIN.NICEL ALL OVER



SEC.A-A



RECOMMENDED PCB LAYOUT(THK:1.0MM)

GENERAL TOLERANCE		DWG NO.	JYSA0804-001	APPD:	WIND	Scale	1:1
X.±0.45	x.'±5'	Title	USB 3.0 A/F H6.26mm 90° DIP L=14.0mm 无盖款	CHKD:		UNIT	mm
.X±0.35	.x'±2'			DR:			
.XX±0.25	.xx'±1'	Part NO.	JYS-USB626-034	Date	2012/04/13		
.XXX±0.15	.xxx'±0.5'						
SHEET	1/1	杰宇森电子有限公司 JIE YU SEN ELECTRONIC CO., LTD.					