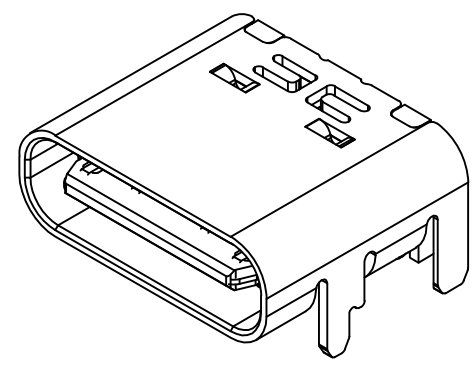
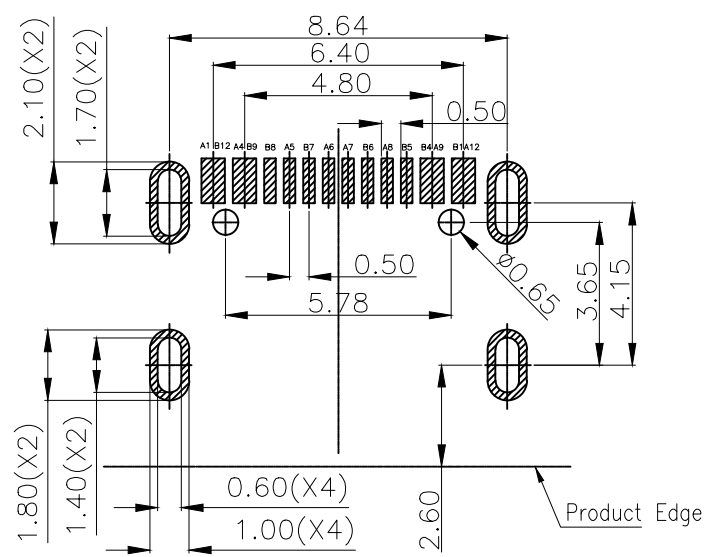
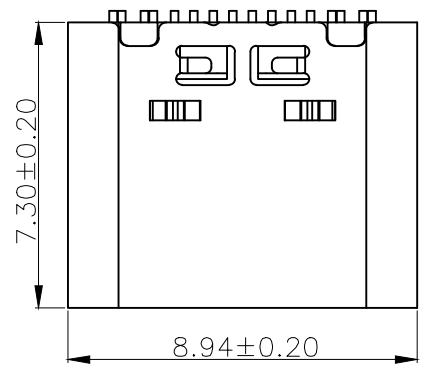
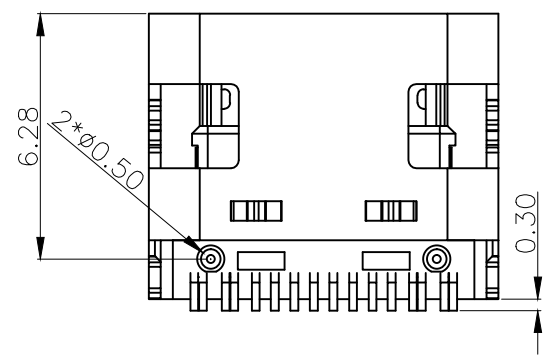
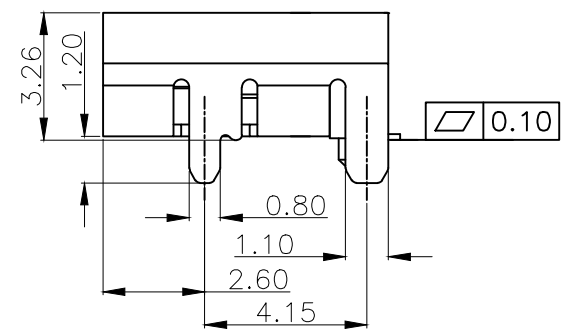
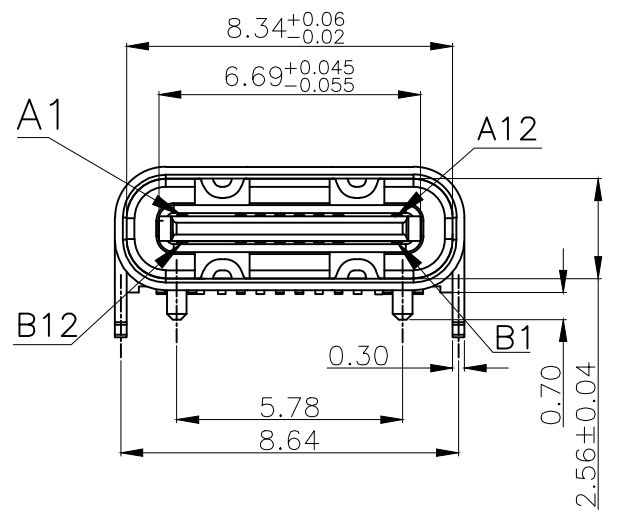


REV.	ECN.NO.	MODIFY.CONTENT	DATE
A		NEW	2017/06/09



- NOTES:
SPECIFICATION:
1. CURRENT RATING: 5A MAX
 2. VOLTAGE: 100 VAC
 3. TEMPERATURE RANGE: -30 °C ~ 85 °C
 4. CONTACT RESISTANCE: 40 MILLIONHM MAX
 5. INSULATION RESISTANCE: 100 MEGOHMS MIN.
 6. INSERTION FORCE : 5N~20N
 7. UNMATING FORCE: 8N~20N
 8. DURABILITY: 10,000 CYCLES

RECOMMENDED P.C.B. LAYOUT
TOLERANCE UNSPECIFIED ±0.05mm



A1	GND	B12	GND
A4	VBUS	B9	VBUS
A5	CC1	B8	SBU2
A6	DP1	B7	DN2
A7	DN1	B6	DP2
A8	SBU1	B5	CC2
A9	VBUS	B4	VBUS
A12	GND	B1	GND
PIN	SIGNAL NAME	PIN	SIGNAL NAME

GENERAL TOLERANCE		DWG NO.	JYSA1505-001	APPD:	WIND	Scale	1:1
X.±0.45	x.±5'	Title	TYPE-C 2.0 16 PIN 板上型	CHKD:		UNIT	mm
.X±0.35	.x'±2'		L=7.30MM 3次 Molding	DR:			
.XX±0.25	.xx'±1'	Part NO.	JYS-USB730-005B	Date	2017/06/09		
.XXX±0.15	.xxx'±0.5'						
SHEET	1/1						

4	SHIELDING PLATE	STAINLESS STEEL	-----
3	SHELL	STAINLESS STEEL	NI Palated
2	TERMINAL	HIGH CONDUCTIVITY COPPER	Au 1u"
1	HOUSING	HIGH TEMPERATURE PLASTIC	UL 94V-0
NO.	DESCRIPTION	MATERIAL	REMARK