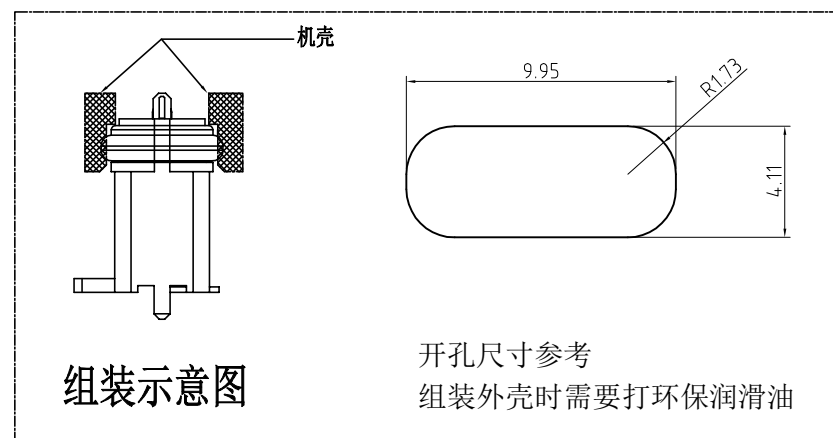
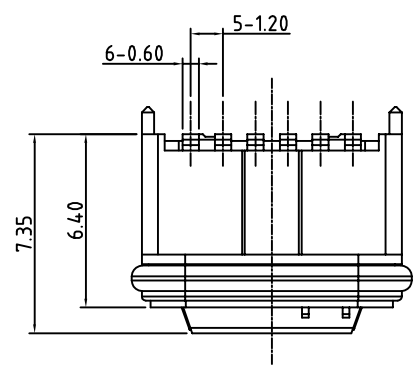
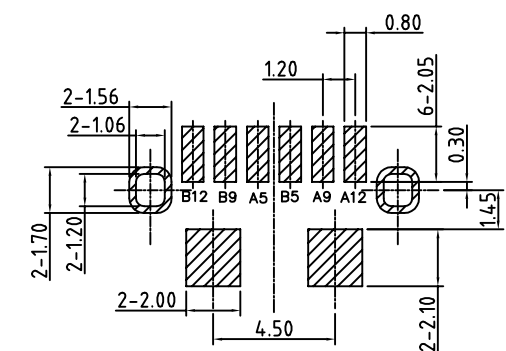
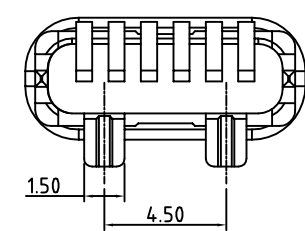
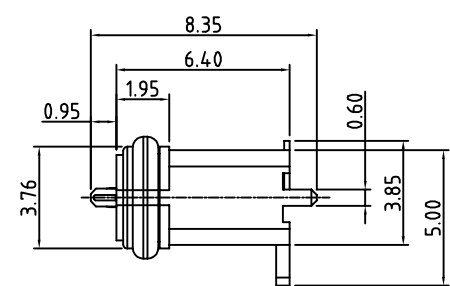
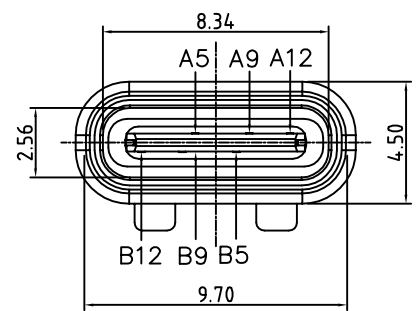


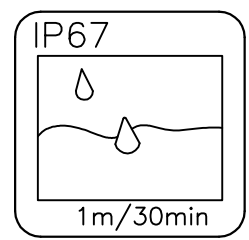
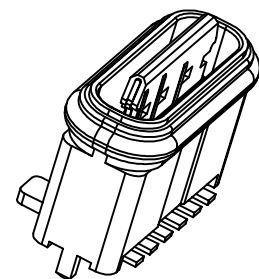
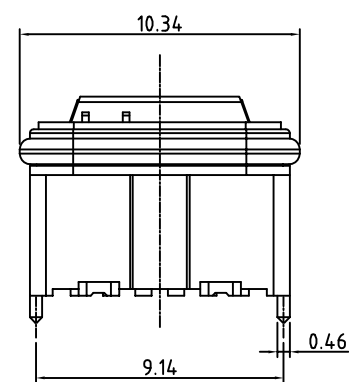
REV.	ECN.NO.	MODIFY.CONTENT	DATE
A		NEW	2020/11/25



- SPECIFICATIONS:
- ELECTRICAL CHARACTERISTICS:
    - RATING: 3A;
    - CONTACT RESISTANCE: 30 mΩ MAX.(INITIAL);
    - DIELECTRIC WITHSTANDING: 100V AC MIN.;
    - INSULATION RESISTANCE: 100MΩ MIN.;
  - DURABILITY: 5,000 CYCLES MIN.;
  - INSERTION FORCE: 5-20N;
  - EXTRACTION FORCE: 6-20N;
  - WATER PROOFNESS: THIS PRODUCT IS BASED ON IPX7.
  - PLUG INTERFACE DIMENSIONS COMFORM TO USB2.0 SPEC.
  - PACKAGING: TAPE & REEL.



RECOMMENDED P. C. B LAYOUT  
TOP VIEW (TOLRANCE: ±0.05)



A5	CC1	B12	GND
A9	VBUS	B9	VBUS
A12	GND	B5	CC2
PIN	SIGNAL NAME	PIN	SIGNAL NAME

3	Shell	1	Ni Plating	
2	Contact	6	Phosphor bronze Au/Ni Plating T=0.20mm	
1	Housing	1	PA10T (G.F30%)	
ITEM	PART NAME	Q' TY	FINISH	NOTE

GENERAL TOLERANCE		DWG NO.	JYSA0413-02	APPD:	WIND	Scale	1:1
X.±0.45	x.'±5'	Title	TYPE C 6Pin 立式 SMT Type	CHKD:		UNIT	mm
.X±0.35	.x'±2'	Part NO.	JYS-USB735-094	DR:			
.XX±0.25	.xx'±1'			Date	2020/11/25		
.XXX±0.15	.xxx'±0.5'						
SHEET	1/1			 <b>JYSCONN Electronics Co., LTD.</b>			